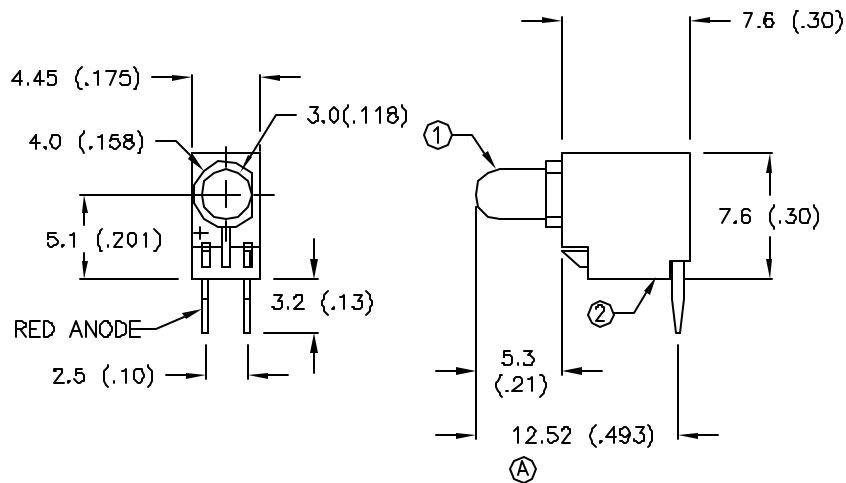


DATE	REVISIONS	REV
7-5-95	UPDATED SPECS. & DIM WHERE NOTED./	A

DRAWING NUMBER	REV
SSF-LXH4RAHGW	A

ELECTRO-OPTICAL CHARACTERISTICS TA=25 °C I_f=20mA

PARAMETER	MIN	TYP	MAX	UNITS	TEST COND
PEAK WAVELENGTH		700 (RED)		nm	
		565 (GREEN)		nm	
FORWARD VOLTAGE (R/G)		2.1	2.8	V _f	
REVERSE VOLTAGE	5.0			V _r	I _r =100uA
AXIAL INTENSITY (R/G)		3.0/4.0		mcd	I _f =20mA
VIEWING ANGLE		60		2x theta	
EMITTED COLOR:	RED/GREEN				
EPOXY LENS FINISH:	MILKY WHITE DIFFUSED				



LIMITS OF SAFE OPERATION AT 25 DEG. C

PARAMETER	MAX	UNITS
PEAK FORWARD CURRENT (R/G)*	150/150	mA
STEADY CURRENT (R/G)	25/25	mA
POWER DISSIPATION (R/G)	120/105	mW
DERATE FROM 25 °C	-1.3	mW/°C
OPERATING, STORAGE TEMP.	-40 TO +85	°C
LEAD SOLDERING TEMP.	+260	°C
2.0mm FROM BODY		3 SEC. MAX

* t<10u5

NOTES:

1. SSL-LX3054HGW LED.
2. IFS-LX4FRA-1 LAMP SOCKET.
3. CUT LED LEADS 5 mm LONG.
4. ASSEMBLE IN SOCKET, POLARITY AS SHOWN.



292 E. HELLEN ROAD
PALATINE, ILLINOIS 60067
(708) 359-2790

DATE: 8-23-93	APPROVED BY:	DRAWN BY:
SCALE: N/A		

T-1 LAMP, RED/GREEN FAULT INDICATOR

PAGE 1 OF 1	DRAWING NUMBER SSF-LXH4RAHGW	REV A
-------------	---------------------------------	----------

FXH4RAAR